

## TR3600 Series Long-Wave Uncooled Thermal Imager



The TR3600 series long-wave uncooled thermal camera is an effective surveillance solution, delivered in a compact package.

The camera is equipped with a high resolution 640x480 focal plane array (FPA). It can be offered with single, dual FOV and continuous zoom lenses.

The TR3600 series cameras are perfect for security and public safety applications.

### Key Features

- Based on advanced VOx technology
- High performance thermal imaging
- Analog video output NTSC or PAL
- Communication control via RS-232
- Easy mounting scheme allows quick deployment
- Dynamic one point NUC
- 2X electronic zoom

### Applications

This unique combination of night vision power is Cantronic's solution to the increase need for security and homeland protection at a board range of facilities and infrastructure such as:

- Bridges; Airports; Seaports; Subways
- Military Facilities
- Perimeter Security
- Nuclear Power Plants
- Government Facilities
- Industrial Applications

### Performance Options

- Auto Focus and FOV Control for Multi FOV Camera
- Nitrogen-Purged & Pressurized Enclosure
- Pan-Tilt Drive

## TR3600 Series Long-Wave Uncooled Thermal Imager

### Specifications

Model	TR3600-100	TR3600-150	TR3600-210	TR3600-C150
Lens Focal Length	100mm	150mm	210mm	25-150mm
Field of View (HxV)	8.6°x6.5°	5.7°x4.3°	4.1°x3.1°	34.5°x25.9° to 5.7°x4.3°
Focus Method	Motorized	Motorized	Motorized	Continuous Zoom
Detector Type	640 x 480 VOx Microbolometer			
Spectral Range	8 - 14 μm			
Pitch	23.5 μm			
NETD	< 75mK @F/1, 30Hz			
Analog Video Output	NTSC or PAL			
Optics	Auto Focus (Optional)			
System Control	RS232			
Electronic Zoom	2X / 4X			
Frame Rate	30Hz NTSC or 25Hz PAL			
Operating Temperature	-20° to +55°			
Storage Temperature	-40° to +70°			
Dimensions (L x W x H)	180 x 140 x 140mm			
Body Weight	<2KG (without lens)			
Power Supply	12VDC			
Power Consumption	<10W			
Environmental	IP66 Pressurized Enclosure (Optional)			

### How to Order

#### TR3600-100 N

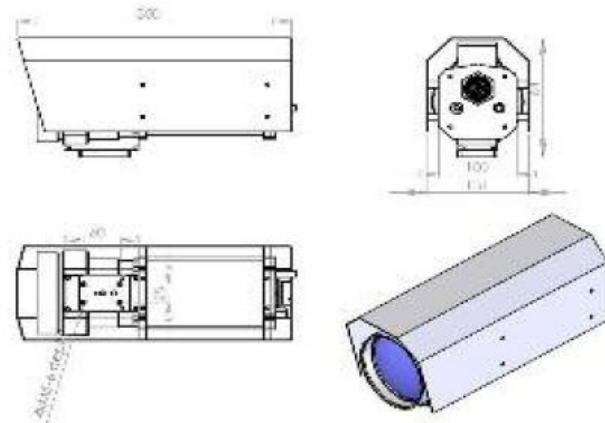
**Enclosure**  
 TR3600: Standard  
 TR3620: Outdoor  
 TR3650: Pressurized

**Lens**  
 100: 100mm Motorized Lens  
 150: 150mm Motorized Lens  
 210: 210mm Motorized Lens  
 C150: 25-150mm Zoom Lens

**Video Output**  
 N: NTSC  
 P: PAL

#### Cantronic Systems Inc.

63A Clipper Street  
 Coquitlam, BC V3K 6X2, Canada  
 Tel: 1.604.516.6667  
 Toll Free: 1.866.391.6970  
 Fax: 1.604.516.6618  
 Email: [sales@cantronics.com](mailto:sales@cantronics.com)  
 Website: [www.cantronics.com](http://www.cantronics.com)



Drawing Shown for Reference only

Specifications subject to change without prior notice.  
 © Cantronic Systems Inc. 2010 • DS-TR3600-20101208

For more Info & Price Quote, Please Contact:

## MDI-Canada

21 Deepglade Cr. Toronto, ON. M2J 1B3, Canada  
 Email: [sales@mdicanada.ca](mailto:sales@mdicanada.ca), [mdicanada@rogers.com](mailto:mdicanada@rogers.com)  
 Website: [www.mdicanada.ca](http://www.mdicanada.ca)